

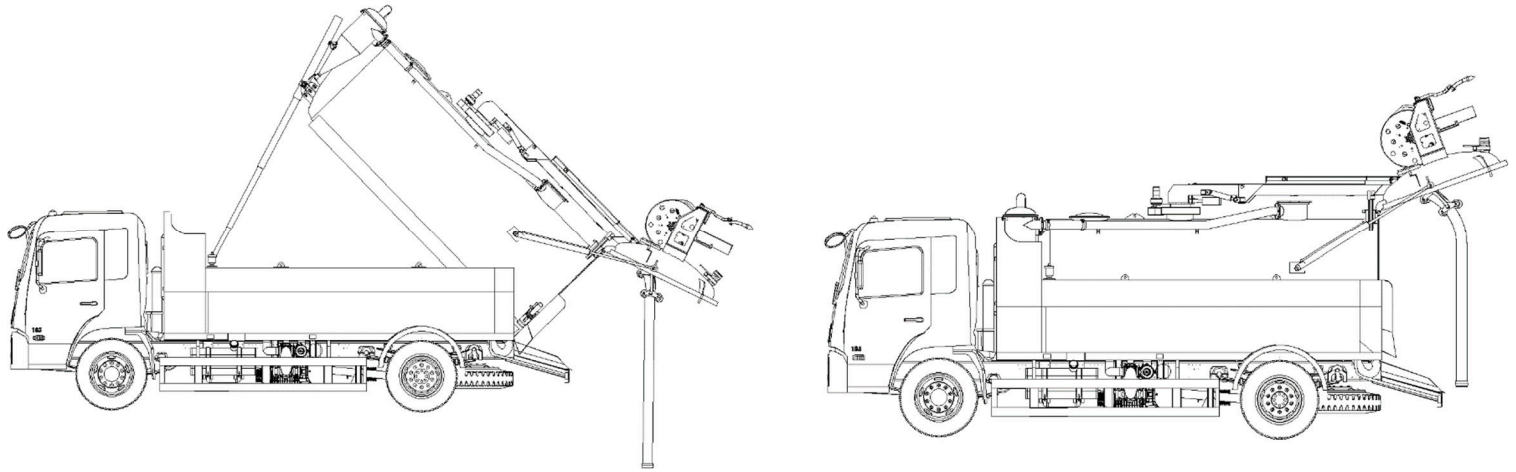
SEWER DREDGING AND CLEANING VEHICLE



Main Parameters

Items		FLM5180GXDF6X
GVW	kg	18000
Wheelbase	mm	5000
Payload Weight	kg	6165
Upper Transportation Dimensions	mm	6370×2500×3550
Upper Weight	kg	5740
Selectable Of Chassis Brand		DONGFENG
High Pressure Water Pump Model		URACAKD708G
High Pressure Water Pump Pressure	MPa	21
High Pressure Water Pump Flow	L/min	212
Max Operating Speed	r/min	2100
Vacuum Pump Model		JUROP PVT200M
Vacuum Pump Max Flow	m ³ /h	1280
Sewage Tank Volume	m ³	6.47
Water Tank Volume	m ³	5.8
Suction Pipe		PVC spiral plastic hose
Suction Pipe Path Size	mm	127
Suction Pipe Length		It can reach 6 meters underground

Technical Specification



Base specification

Dredging and Cleaning:

- Easy to clean: equipped with spray gun and water quick release joint, it can quickly connect the spray gun for cleaning operation. There is a tank self-cleaning device in the sewage tank, and the tank can be self-cleaning when discharging.
- Complete functions and high operation efficiency: the vehicle integrates multiple functions such as flushing, dredging, sewage suction, sewage filtration and reverse drainage, which can effectively reduce the number of vehicles and personnel and the number of round trips, greatly improve work efficiency, save time and cost.
- Good dredging effect: equipped with imported mushroom type nozzle, diamond shaped nozzle and oval nozzle with high penetration performance, and various special nozzles can be selected according to user requirements. The pipeline is clean after cleaning. The pipeline with $\Phi 150\text{mm} \sim \Phi 800\text{mm}$ can be cleaned and dredged. Compared with the traditional products of the same kind, it can save more than 1/3 of water, improve the ability of continuous operation and save the time of water and water.
- Advanced technology, safe and reliable: high pressure water circuit, hydraulic system, vacuum system, electric control system, etc. adopt or draw lessons from the advanced technology of European and American professional companies, equipped with electric control display monitoring instrument, sewage tank, clear water tank level and other alarm signal lights, etc., with high reliability of the whole machine.
- The liquid level device is easy to observe and clean: the liquid level display of the sewage tank adopts the imported liquid level display device, which is easy to observe, dismantle, clean and maintain.
- Independent patent, time-saving and labor-saving: adopt the new type of independent patent dredge hose reel, which is hydraulically driven, can be forward and reverse, stepless speed regulation, to solve the technical problems such as disorderly arrangement of dredge hose in the existing technology, low efficiency of winding, large space consumption, high-pressure water pulse vibration or vehicle traveling bumping, resulting in dislocation and looseness of dredge hose.

Drive system:

- Good driving comfort: Dongfeng class II automobile chassis with emission reaching the national V standard is used for refitting, with small overall dimension, small turning diameter and small occupation area during operation.
- Remote control cantilever, convenient operation: the self-patented new sewage suction hose rotary swing arm has the functions of rotation, lifting and expansion, so that the sewage suction hose of the sewage dredging and cleaning vehicle can reach into the sewer accurately, and the parking operation range is large, the structure is compact and beautiful, and the operation is convenient.
- Convenient operation: the operation and electric control display and monitoring instrument are located at the rear of the vehicle, which is convenient for operation and observation. Only 1-2 operators are required to complete the whole operation process. The operator has low labor intensity and high work efficiency.

Body:

- Oil saving and high efficiency, good economy: the Italian original imported OMSI full-power power take-off is used to transfer the power of chassis engine to the imported high-pressure water pump and the imported roots air-cooled vacuum pump (the air-cooled vacuum pump is small in volume, light in weight, without cooling water tank), and no auxiliary engine is required.
- Good sealing performance of the rear door: the rear door locking technology with independent patent is adopted, the gap between the rear door and the tank body is easy to adjust and tidy, and the sealing performance is good.