

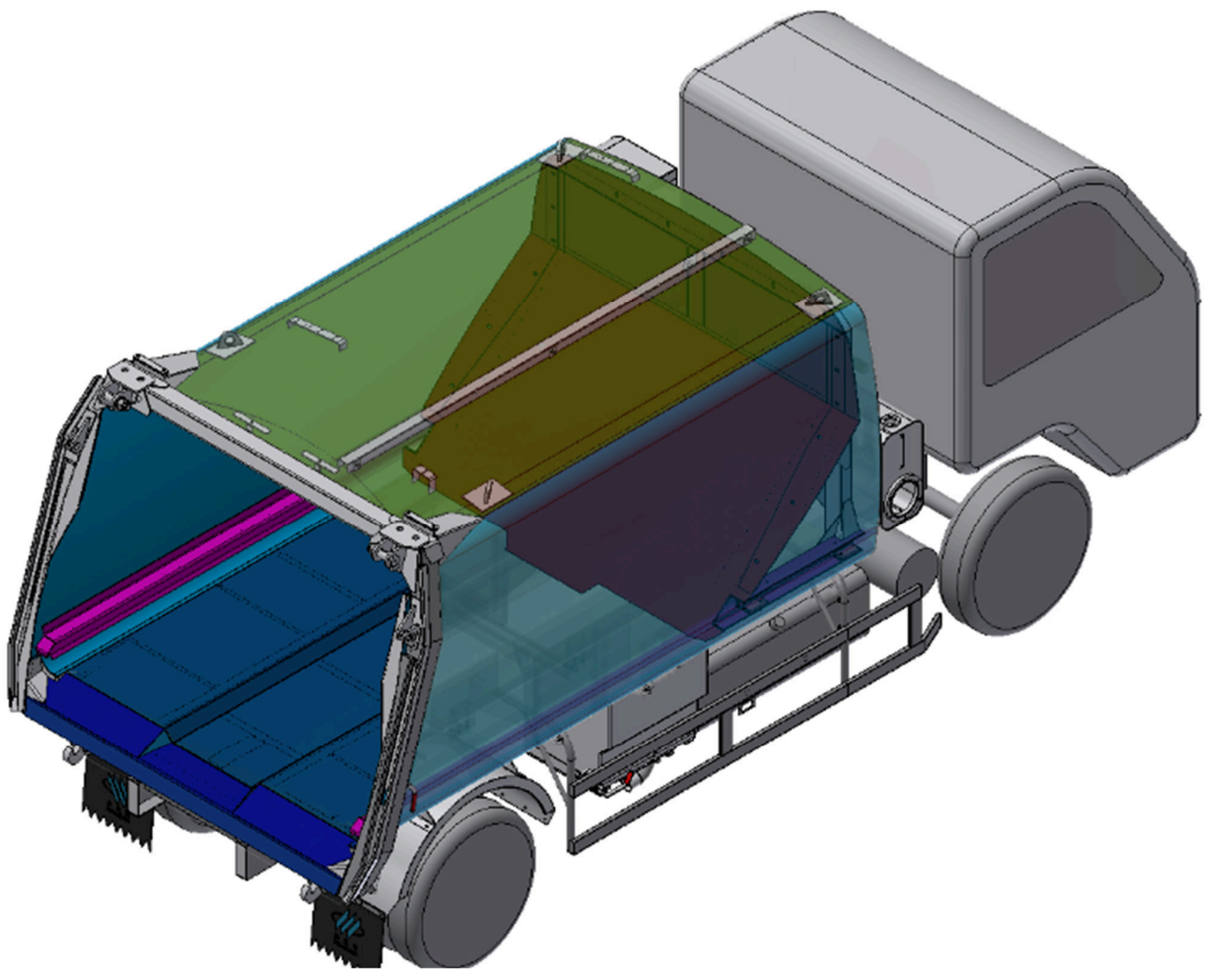
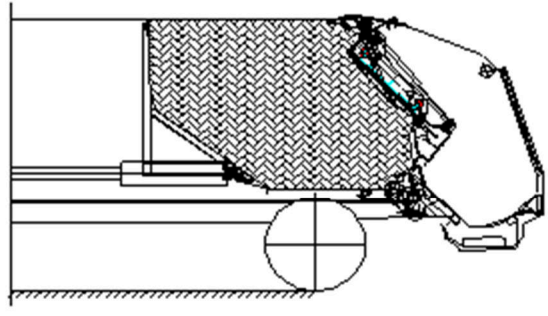
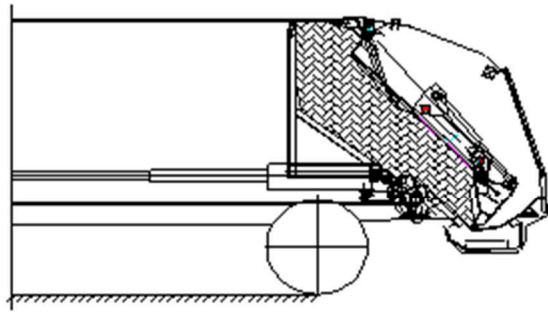
COMPRESSION REFUSE COLLECTOR









Main Parameters

Items			FLM5070ZYSQL6	FLM5120ZYSD6	FLM5250ZYSD6
GVW	kg		7300	12490	25000
Payload Weight	kg		1870	3745	9365
Wheelbase	mm		3360	3800	4350+1350
Upper Weight	kg		3150	3750	7140
Selectable Of Chassis Brand			ISUZU/DONGFENG FOTON/JMC/JAC	DONGFENG	DONGFENG/JAC SHACMAN/FAW
Refuse Container Capacity	m ³		6.5	10	20
Upper Transportation Dimensions	Garbage Box	mm	3965×2150×1950	4665×2420×2200	5700×2530×2690
	Hopper	mm	2580×2150×1550	3515×2420×1480	3700×2530×2000
Hopper Volume	m ³		0.66	1.1	1.3
Hopper Opening Width	mm		1565	1670	1960
Hopper Bottom Above Floor (Unladen)	mm		≤1000	≤1280	≤1280
Waste Water Tank	L		450	710	1270
Garbage Compression Density	t/m ³		0.65-0.8	0.65-0.8	0.65-0.8
Hydraulic System Working Pressure	MPa		18	21	21
Loading Recycle Time	s		≤13	≤17	≤25
Lifting Recycle Time	s		≤10	≤11	≤11
Discharging Time	s		≤40	≤55	≤83
Max Shirking Force	kN		156	187	248
Max Crush Compressing Force	kN		112	139	186
Compression Frame			Bi-directional Compression	Bi-directional Compression	Bi-directional Compression

Technical Specification



-  Left board & right board & front of base plate
-  Top plate
-  Guide rail
-  Push plate
-  Rear base plate
-  Push plate slide groove

Base Specification

Body:

- The U-shaped truss slot with high strength and Japanese technology is used as the movable guide rail of garbage pushing plate, which has strong compression capacity and good deformation resistance.
- The dustbin and other main components are made of high-strength weathering steel plate (FLM5070ZYSQL6 and FLM5120ZYSDF6 use B480GNQR, FLM5250ZYSDF6 uses Q345B), and arc-shaped design is adopted, which is simple and beautiful, with large effective volume, outstanding overall structural performance and strong impact resistance.
- The sliding block of push plate is made of high wear-resistant alloy material with long service life.

Control system:

- The intelligent control system of controller is adopted, which can be controlled centrally in the cab. With automatic and manual double control mode, it can control the garbage truck operation in the cab, the middle of the vehicle, the rear of the vehicle, etc., which is convenient and efficient.

Hydraulic system:

- The back door opening and closing hydraulic system with good sealing and high safety is adopted at the joint of stuffing device and box body, which is an adjustable hydraulic locking full sealing technology.
- Equipped with two-way compression function, high compression efficiency and large garbage load. When unloading, when the filler is lifted in place, the scraper and sliding plate automatically realize a cycle to clean up the garbage left in the filler.

Optional device:

- According to the user's demand, it is equipped with various kinds of garbage truck bucket devices. The lifting support device which is convenient for installation and long service life, and the cam clamping device which has high efficiency and wide application are carefully designed to effectively eliminate the risk of barrel dropping in the feeding process, which provides the possibility to configure a variety of lifting devices.
- Optional stainless steel sewage tank (one on the left and one on the right).
- Aluminum alloy side guardrail is optional.
- Optional pressure switch of scraper and sliding plate.
- FLM5070ZYSQL6:
 1. Choose domestic filler chute with roller.
 2. Optional single pump hydraulic system.
 3. Select the rear cover plate of the electric hydraulic cylinder to open and close the filler (need to add the valve group control).
- FLM5120ZYSD6:
 1. Optional German chute with slider.
- FLM5250ZYSD6:
 1. The domestic chute of the optional filler is equipped with wear-resistant slider or roller
 2. The German chute of the optional filler is equipped with wear-resistant slider
 3. Double pump continuous dual power is selected to cancel the sewage tank on the right side.
 4. Choose continuous dual power (single pump) or non-continuous dual power (single pump), and cancel the sewage tank on the right side.
 5. The pressure filling force is increased.
 6. Pneumatic control of sewage tank.

Other advantages:

- Equipped with a large capacity sewage tank and combined with a diversion sewage collection device, the sewage leakage between the filler and the garbage box due to the failure of the sealing strip can be drained into a special sewage collection box, and a flexible and reliable sewage tank cleaning door sealing device is installed to effectively prevent secondary pollution caused by sewage leakage.
- It is equipped with many safety protection measures, such as slider up, scraper up button, emergency stop button, interlock switch to prevent the stuffer from falling, safety strut, self-locking function of the lifter cylinder of the stuffer, to ensure the safety of personnel.
- Equipped with night work lights, convenient for sanitation workers to work at night.